

NIGHT VISION MONOCULAR  
**KONUSPY-12**



## INSTRUCTIONS



**KONUS**<sup>®</sup>  
Optical & Sport Systems

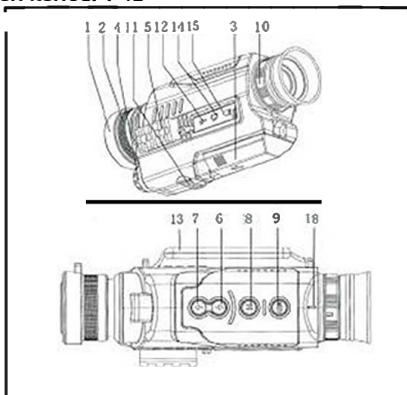
## #7933 DIGITAL NIGHT VISION KONUSPY-12

### COMPONENTS

1. Objective lenscover
2. Objective focus wheel
3. Battery compartment
4. Infrared illuminator
5. Weaver/Picatinny interface
6. Down button
7. Up button
8. Mode button
9. Power/Select button
10. Eyecup
11. Threaded tripod mount
12. Mini USB 2.0 socket
13. Hand Strap
14. Video OUT
15. TF Card

### BATTERY INSTALLATION

- Remove the battery cover (3).
- Insert three AA batteries according to the polarity.



- Turn the monocular on, the screen will light up if the battery is inserted correctly and is charged.
- Remove the objective lens cover
- Press the "power"(9) button to turn the Night Vision monocular on. Look through the eyecup, it is ready for use when the screen has lit up and the icons are displayed.

### DISPLAY ICONS

1. Battery charge indicator
  2. Image capacity remaining
  3. Current mode (Photo)
  4. Storage media (TF card)
- The monocular will always start in photo mode.



### POWER OFF

- In any mode, hold the "power" (9) button for 3 seconds to turn the Digi NV Monocular off.

### FOCUSING

- Remove the objective lens cover (1) and look through the eyecup (10) at the screen.
- Adjust the diopter focus ring (2) until the icons on the screen are sharp.
- Adjust the objective focus wheel until the desired viewing image is sharp.
- The infrared illuminator should be used to achieve the optimum viewing image.
- If the environment is light enough, the infrared illuminator can be turned off to save power.
- Be careful not to block the infrared illuminator, as this will affect the viewing image.
- Digital Zoom will be implemented by pressing 6 and 7 ranged at 5x to 40x.

### SCREEN BRIGHTNESS

- The brightness adjustment menu allows you to alter the brightness of the digital display.
- While in photo or video mode, keep pressed the (8) button for 3 seconds to enter the brightness adjustment menu.
- As shown on the image above, the number after the word "Bright" is the current screen brightness
- Press the (6) button to reduce the brightness and the button (7) to increase it. There are 9 levels of brightness in total with 9 being the brightest.



### INFRARED ILLUMINATOR

- The infrared adjustment menu allows you to alter the strength of the assisting infrared light.
- While in photo or video mode, keep pressed the button (8) for 3 seconds to enter the infrared adjustment menu.
- As shown on the image above, the number of \* after the word "Lamp" is the current infrared strength. Press 2 for moving to "LAMP"
- Press the button (6) to reduce infrared strength and the button (7) to increase it. There are 9 levels of infrared in total with 9 being the strongest.



### NOTES:

- In any of the previous adjustment menus, the monocular will return to its current mode if there is no operation within 8 seconds.
  - To save battery power, the infrared illuminator can be turned off automatically to save power
- ### PHOTO MODE
- When the monocular is first operated it will enter photo mode automatically. In this mode you can take still images of your environment.
  - Press the button (9) to capture a still image.
  - The photo will automatically save to the internal TF memory card.

### DISPLAY ICONS

1. Battery charge indicator
2. Image capacity remaining
3. Photo mode
4. Storage media (SD card)

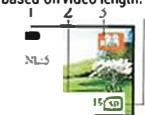


#### VIDEO MODE

- In photo mode, press the button (8) to enter video mode. In this mode you can record videos of your environment (up to 10 minutes long).
- Press the button (9) to start recording video. To end a recording, press the "select" button (9) again.
- The video will automatically save to the internal TF memory card. Video size is based on video length.
- The maximum length of a video is 10 minutes

#### DISPLAY ICONS

1. Battery charge indicator
2. Video recording time
3. Video mode
4. Inserted with storage card



#### PHOTO PLAYBACK

- In photo mode, press the button (8) to enter playback mode. This allows you to view any photos or videos you have taken with the monocular.

#### DISPLAY ICONS

1. Battery charge indicator
2. Photo serial number
3. Playback mode (Photo)
4. Storage media (SD card)

- When in playback mode, use the (6) and (7) buttons to cycle through the photos and videos.



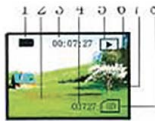
- In photo mode, press the button (8) to enter playback mode. This allows you to view any photos or videos you have taken with the monocular.

- If the monocular is not in photo mode, press the button (8) to cycle through the available modes until you see the playback mode symbol.

#### DISPLAY ICONS

1. Battery charge indicator
2. Video date
3. Video recording time
4. Video serial number
5. Playback mode (Video)
6. Video Playback mode
7. VGA video format

- When in playback mode, use the (6) and (7) buttons to cycle through the photos and videos. Pressing the "select" button (12) will start and stop video playback if it has the video playback symbol.



#### DATE AND TIME

- Long press button 8 to enter choosing menu, press button 8 to move the symbol "+" until it appears before "Time set" option.
- Press button 7 and 6 to access the time setting interface.
- Use button 6 and 7 to change number of the arrow showed direction.
- Press button 9 to move the direction of the arrow located forward or backward, which indicates year, month, date, hour and minute.
- Press button 9 to exit the setting mode.

#### FILE DELETION

- In playback mode, long press button 8. A confirmation prompt appears. Press button 6 and 7 to switch between Yes and No. Press button 9 to confirm the choice, or press button 8 to exit deletion mode.

#### COMPUTER CONNECTION

- Connect the monocular to your computer using the USB lead supplied.
- The computer will identify the monocular automatically and read the content on the TF card.

#### AUTO POWER OFF

- After 10 minutes of no operation the monocular will turn off

- (except in video or playback mode).

#### ADDITIONAL INFORMATION

- Keep monocular in its carry case when not in use.
- Operating temperature: -5°C to 40°C.
- Store in a cool dry environment.
- Blow away any dust from the lens before wiping.

